

# C Range

## undercounter

### TRAY/DISHWASHER



## C615 ws

### Maidaid **C615 WS** Features

- **2 year warranty**
- Four button bright LED display with soft touch controls, twin traffic lights giving constant status updates & operational self diagnostics



- Alarms menu with hi-level information retrieval
- Quick release triple wash & rinse arm design
- Stainless steel surface scrap tray filters supplied as standard
- Automatic continuous internal water softener
- Drain pump and breaktank as standard
- Substantial usable height of 375mm to cater for large washware
- Three standard cycle time options with further options available
- Cycle times can be tailored to site requirements
- Automatic self-cleaning at end of service
- Selectable energy saving mode
- Selectable thermostop ensures optimum rinse temperatures
- Patented dual flow wash pump - reducing power consumption whilst retaining wash efficiency
- Moulded wash tank for easy cleaning
- Moulded rack guide giving partial double skin
- Accurate detergent & rinse aid peristaltic dosing pumps as standard
- Compatible with 500 x 500 racks



Supplied with one  
500 x 600 pegged rack  
& one 500 x 500 open rack.

Additional racks can be  
purchased at point of order:

- Q902016B** – 500 x 600 open glass/cup rack
- Q902017B** – 500 x 600 plate rack
- Z972001** – 500 x 500 open glass/cup rack
- Z972003** – 500 x 500 plate rack



For additional information contact our Sales Team on

T: **0345 130 8070** E: **sales@maidaid-halcyon.co.uk** or visit **www.maidaid.co.uk**

# C Range undercounter TRAY/DISHWASHER

## C615 ws



### Technical Data

Dimensions (W x D x H)	mm	580 x 700 x 840 + Feet
Feet height	mm	10-20
Rack size	mm	500 x 600
Maximum useable height	mm	375
Door opening	mm	405
Theoretical productivity	Racks/h	40
Effective productivity	Racks/h	30*

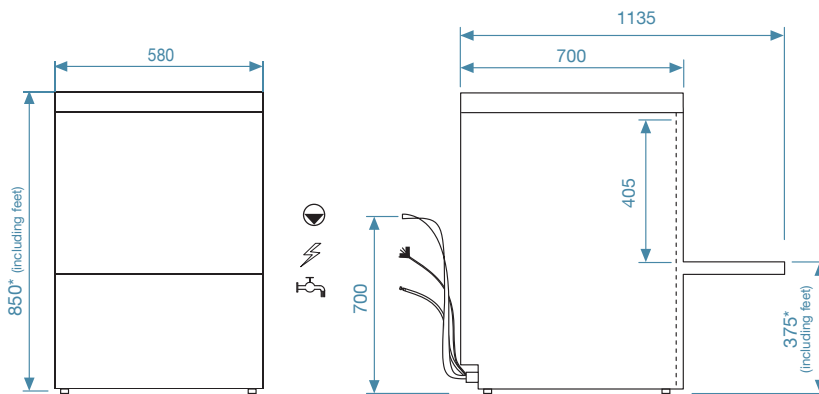
Wash tank element	kW	2.1
Boiler element	kW	6
Wash pump	kW	0.61
Tank capacity	L	23
Noise emission	dB	≤ 55

### Packaging Specs

Gross weight	Kg	69
Cubic volume	m³	0.45
Dim. (W x D x H)	mm	670 x 780 x 1000

\*Allowing 30 seconds for reloading  
Cycle times may vary depending on local conditions/services

### Installation Diagram – All services must be within 1 meter



\*Height-adjustable feet + 10mm

### Power Supply

Installed power	AMP	kW
230V – 50Hz – 1N	13	2.8
	20	4.7
	30*	6.7
Optional 3 Phase config	Total load 6.7kW	
Fused	16 amp	

\*Standard configuration

Pumped waste into upstand, maximum height 700mm

Power  
 Water supply 2 – 4 bar

### Water Connection

Inlet water pressure	Bar	2 to 4
Flow rate L/Min	L/Min	6
Water inlet temp	°C	10 to 50
Water connection	BSP	¾"
Waste connection	Ø	Int 19/ext 24

### Cycle Information

Number of standard cycles		3
Standard cycles times	Sec	90/120/150 – adjustable
Special cycle		Eco, Glass, Long
Self-cleaning cycle		Full self clean
Water consumption per cycle	L	2.5
Wash temperature	°C	60 – adjustable
Rinse temperature	°C	82 – adjustable

For additional information contact our Sales Team on

T: **0345 130 8070** E: **sales@maidaid-halcyon.co.uk** or visit **www.maidaid.co.uk**